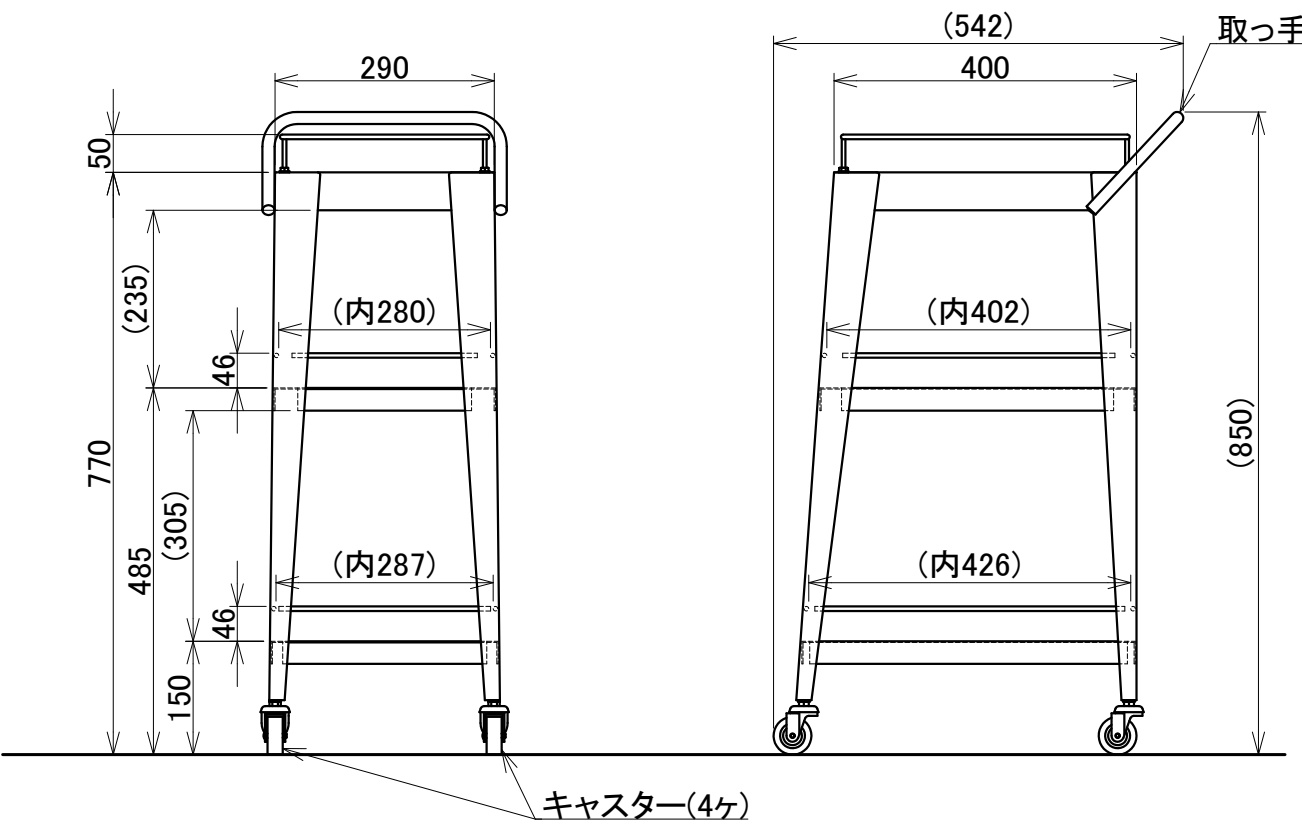
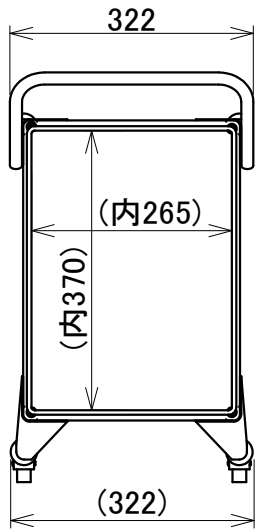


| 1   | 2         | 3          | 4        |
|-----|-----------|------------|----------|
| No. | Part Name | Q'ty       | Material |
|     |           | Processing | Finish   |
|     |           |            | Remarks  |

A  
B  
C  
D  
E  
F

A  
B  
C  
D  
E  
F



※本図面寸法は、製品により多少の誤差があります。

|                                 |                  |                 |                          |                                     |                        |                                 |
|---------------------------------|------------------|-----------------|--------------------------|-------------------------------------|------------------------|---------------------------------|
| 3rd angle projection method<br> |                  |                 |                          | Product name<br><b>IRONワゴン ブラック</b> |                        |                                 |
|                                 | Approved<br><br> | Checked<br><br> | Drawn<br>marukusu        | Date<br>2021/03/24                  | Category<br><b>ワゴン</b> | BG Model No.<br><b>10000001</b> |
| measurement unit: mm            |                  |                 | Scale<br>Scale= 1:10(A4) | Title<br><b>構造図</b>                 | Version<br><b>01</b>   | Sheet No.<br><b>1/1</b>         |

|   |   |   |   |
|---|---|---|---|
| 1 | 2 | 3 | 4 |
|---|---|---|---|