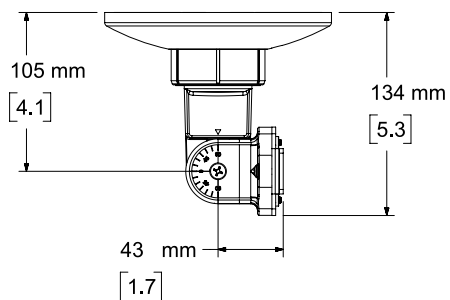
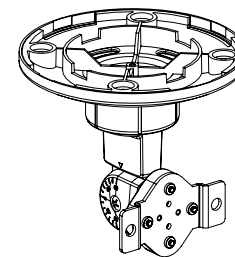
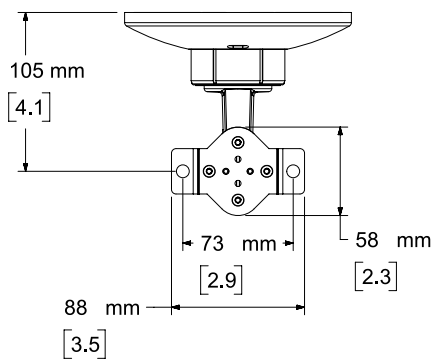


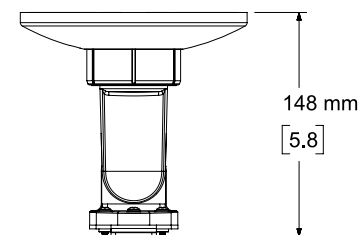
**Top View**



**Left View**  
BRACKET IN 90° POSITION



**Front View**



**Right View**  
BRACKET IN 0° POSITION

- NOTES:  
 1. DIMENSIONS ARE IN MILLIMETERS OVER INCHES  
 2. WEIGHT APPROX 0.6kg [1.4lbs] (SPEAKER ONLY)

<p>THIRD ANGLE PROJECTION</p> <p>UNLESS OTHERWISE SPECIFIED INTERPRET THIS DRAWING PER ASME Y14.5M-1997</p>	<p>NOTICE</p> <p>© 2018 BOSE CORPORATION. THIS DRAWING MAY NOT BE COPIED, REPRODUCED, OR USED AS THE BASIS FOR MANUFACTURE OR SALE OF APPARATUS WITHOUT THE PRIOR WRITTEN AUTHORIZATION OF BOSE CORPORATION.</p> <p>DO NOT SCALE DRAWING</p>	<p><b>BOSE</b></p> <p>DESCRIPTION  <b>CEILING MOUNT BRACKET S2</b></p>	
<p>CAGE CODE  <b>32108</b></p>		<p>DOCUMENT NUMBER  <b>RF852581-MKTCADS</b></p>	<p>VERSION  <b>00.5</b></p>