

# FreeSpace FS4SE

## surface-mount loudspeaker

### Product Overview

FreeSpace FS loudspeakers are designed for high-quality performance in background music and voice announcement applications. Redesigned enclosures and aesthetics, removeable logos, metal backcans on ceiling-mount models, and ease-of-installation features mean that this update to the classic FreeSpace DS line is ideal for installations in almost any commercial space.

The surface-mount FS4SE features a full-range 4.5-inch cone transducer, low frequency range down to 70 Hz, 8-ohm and 70/100 V operation. Audio connections are terminated with a detachable Euroblock connector, and the FS4SE is IP55 rated for outdoor installation.



### Key Features

**High-quality loudspeaker solutions** for voice and background music

**Updated enclosures** and removeable logos that do not leave grille marks or holes

**Low-impedance and high-impedance** operation without separate model versions

**Consistent tonality** throughout the line means mixing and matching models in the same installation

**UL1480 ULC-S541** Life Safety Fire Alarm and Signaling listed

**Black and White** versions of all models

**Designed for surface-mount installation** indoors or outdoors with included U-bracket and IP55 outdoor rating

### Technical Specifications

SINGLE LOUDSPEAKER PERFORMANCE		
Frequency Response (-3 dB) <sup>(1)</sup>	80 - 17,000 Hz	
Frequency Range (-10 dB) <sup>(1)</sup>	70 - 19,000 Hz	
Nominal Coverage Angle (H x V) <sup>(2)</sup>	125° x 125°	
Nominal Coverage (H x V) (1 - 10 kHz)	100° x 100°	
	Bose extended-lifecycle test <sup>(5)</sup>	AES transducer test <sup>(6)</sup>
Power Handling, long-term continuous	40 W	50 W
Power Handling, peak	160 W	200 W
Sensitivity (SPL/1W @ 1 m) <sup>(3)</sup>	87 dB	87 dB
Calculated Maximum SPL @ 1 m <sup>(4)</sup>	103 dB	104 dB
Calculated Maximum SPL @ 1 m, peak	109 dB	110 dB
Loudspeaker EQ	Not Required, Bose EQ Voicing and SmartBass available	
Recommended High-Pass Protection	70 Hz with minimum 24-dB/octave filter	
Overload protection	Resistor-network power reduction with automatic reset	
Transformer taps	70V: 2.5, 5, 10, 20, 40 W, bypass 100V: 5, 10, 20, 40 W, bypass	
TRANSDUCERS		
Full-Range Driver	1 x 4.5-inch woofer (114 mm)	
Nominal Impedance	8 ohms (transformer bypass)	

# FreeSpace FS4SE

## surface-mount loudspeaker

PHYSICAL	
Enclosure Material	Engineered plastics, highly UV fade resistant
Bracket Material	Powder-coated steel
Grille	Perforated steel, powder-coat finish, tamper-resistant design
Logo	Rotatable, removable
Color	Black: similar to Ral 9005, White: similar to Ral 9003
Environmental/Ingress-Protection	Outdoor IP55 (suitable for use outdoors in wet locations), includes weather resistant input cover.
Safety Agency	Certification: UL 1480, ULC-S541 for Fire Alarm and Signaling Systems Installation: NFPA 70, NFPA 72, CSA C22.1 Section 32, in accordance with IEC60268-5, CE RoHS
Operating Temperature Range	-25 °C to 70 °C (-13 °F to 158 °F)
Connectors	Euroblock 6-pin connector with loop-through, mounted on rear. Accepts 18 AWG (0.8 mm <sup>2</sup> ) to 14 AWG (2.5 mm <sup>2</sup> ) size wire.
Suspension/Mounting	External U-bracket with bracket screws
	7 preset mounting angles: 0°, ± 15°, ± 30°, or ± 45° for wall or ceiling placement
	Two (2) rear M8 screw inserts for use with optional Ceiling Mount Bracket, or Pan and Tilt brackets
	Safety cable can be used with either of two (2) rear M8 inserts when using included U-bracket, or with either of two (2) side M8 inserts, when using optional brackets
Dimensions (H x W x D)	277 x 171 x 174 mm (10.91 x 6.73 x 6.85 in)
Dimensions with Bracket (H x W x D)	277 x 171 x 196 mm (7.83 x 6.73 x 7.72 in)
Net Weight, Loudspeaker with grille and bracket (single)	3.42 kg (7.55 lb)
Shipping Weight, Pair	8.32 kg (18.35 lb)
Included Accessories	Each FS4SE includes one (1) Bose logo for vertical orientation, one (1) U-Bracket and one (1) weather resistant input cover
Optional Accessories	Aluminum grille kit, WBPWR-50 pan-and-tilt bracket (for outdoors), RMUBRKT1 pan-and-tilt bracket (for indoors), Ceiling Mount Bracket S2, Ceramic terminal w/ Fuse kit
PRODUCT CODES	
841155-0110	FREESPACE FS4SE PAIR BLK
841155-0210	FREESPACE FS4SE PAIR WHT

#### Footnotes

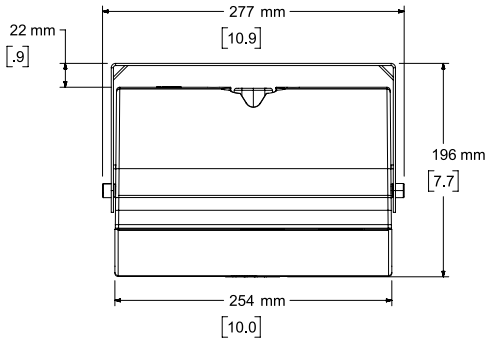
- (1) Frequency response and range measured on-axis in half-space environment with recommended EQ
- (2) 1 kHz to 4 kHz average
- (3) Sensitivity measured on-axis in half-space environment with recommended EQ
- (4) Maximum SPL calculated from sensitivity and power handling specifications, exclusive of power compression
- (5) Bose extended-lifecycle test using pink noise filtered to meet IEC268-5, 6-dB crest factor, 500-hour duration
- (6) AES standard 2-hour duration with IEC system noise

For additional specifications and application information, please visit [PRO.BOSE.COM](http://PRO.BOSE.COM).  
Specifications subject to change without notice. 01/2020

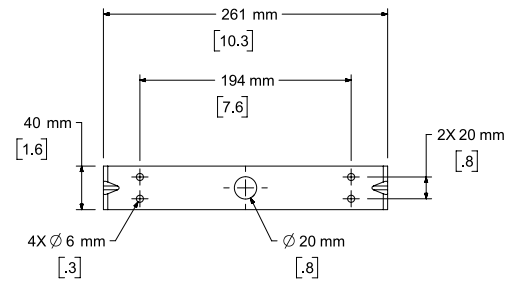
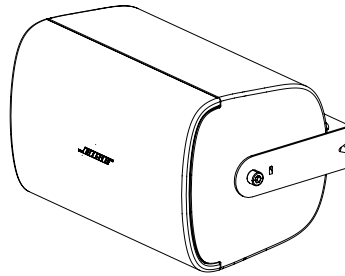
# FreeSpace FS4SE

## surface-mount loudspeaker

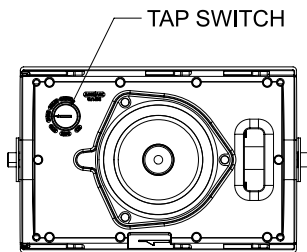
### Dimensions



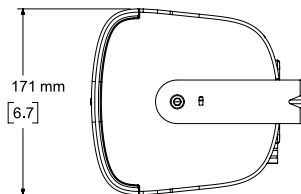
**Top View**



**Rear View**  
BRACKET ONLY



**Front View**  
GRILLE REMOVED FOR CLARITY



**Right View**  
DIMENSIONS APPLY TO BOTH SIDES



**Rear View**  
BRACKET/CAP REMOVED FOR CLARITY

NOTES:  
1. DIMENSIONS ARE IN MILLIMETERS OVER INCHES

For additional specifications and application information, please visit [PRO.BOSE.COM](http://PRO.BOSE.COM).  
Specifications subject to change without notice. 01/2020