

1

2

3

4

5

6

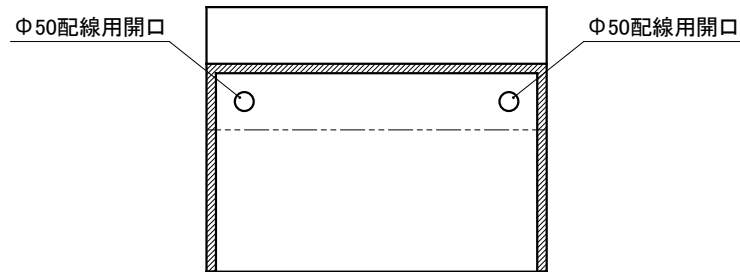
7

8

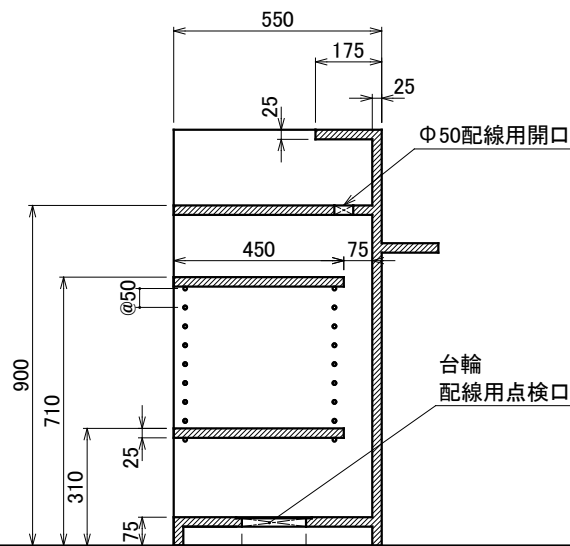
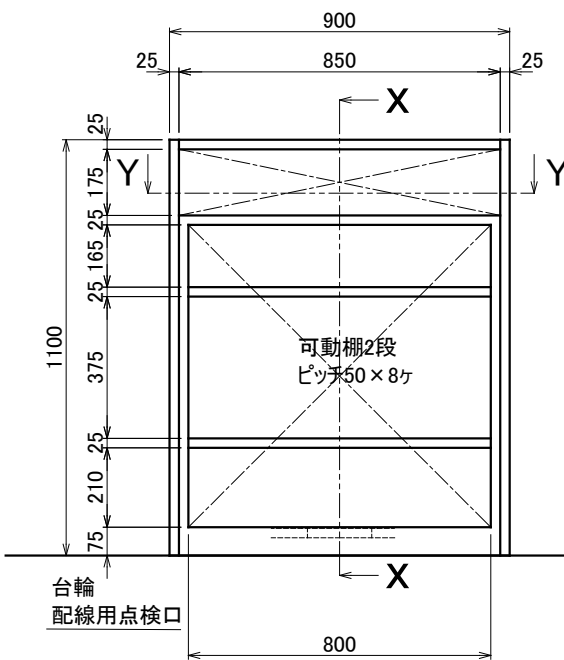
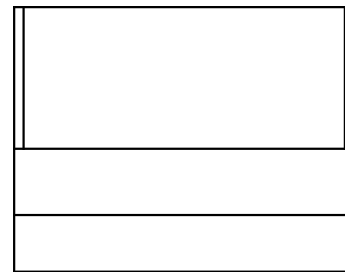
No.	Part Name	Q'ty	Material	Processing・Finish	Remarks
-----	-----------	------	----------	-------------------	---------

A
B
C
D
E
F

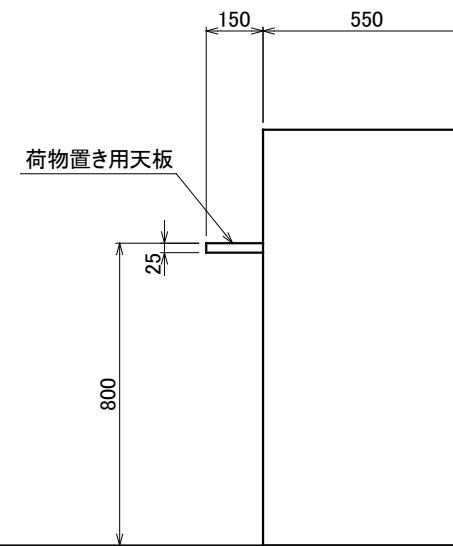
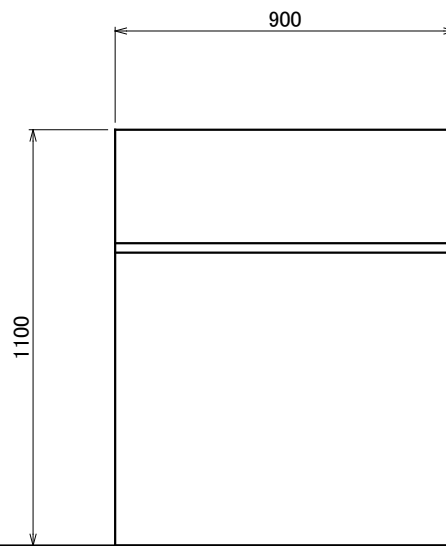
A
B
C
D
E
F



Y-Y断面



X-X断面



Mark	Date	Revisions	Drawn	Approved
	2019/10/23	First issue	Marukusu	

3rd angle projection method		BEAUTY GARAGE			Maker:	
		Approved	Checked	Drawn	Date: 2019/10/23	Project: セミオーダーレジカウンター-DELUXE-900
measurement unit : mm				marukusu	Scale: 1:20(A3)	BG Model No.: 1000001
					Title: 寸法図	Version: 01
					Sheet No.: 1/1	

1

2

3

4

5

6

7

8